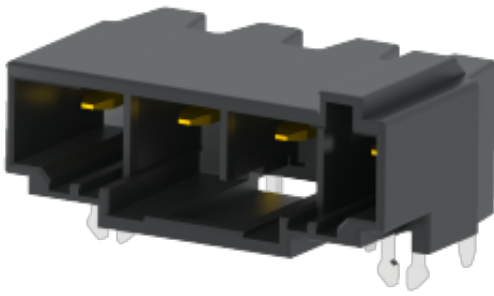


WJ9RC-7.5
PLUG-IN TERMINAL BLOCK



PCB connector
 Rated current: 16 A
 Rated voltage: 300 V
 Pitch: 7.5 mm
 Mounting: Reflow soldering



For reference only!version1.0

UL/CUL

Use Group	B	C	D	F
Rate Voltage [V]	300	300	600	600
Rated Current [A]	16	16	5	16
Wire Range [AWG]	/			
Dielectric Voltage-Withstand	1.6KV			

IEC

Overvoltage Category	III	III	II
Contamination Class	3	2	2
Rated Voltage [V]	500	630	1000
Rated Current [A]	20	20	20
Impulse withstand voltage [KV]	6	6	6
Conductor cross section[solid/flexible] [mm ²]	/		

Material

Insulation Material	LCP
---------------------	-----

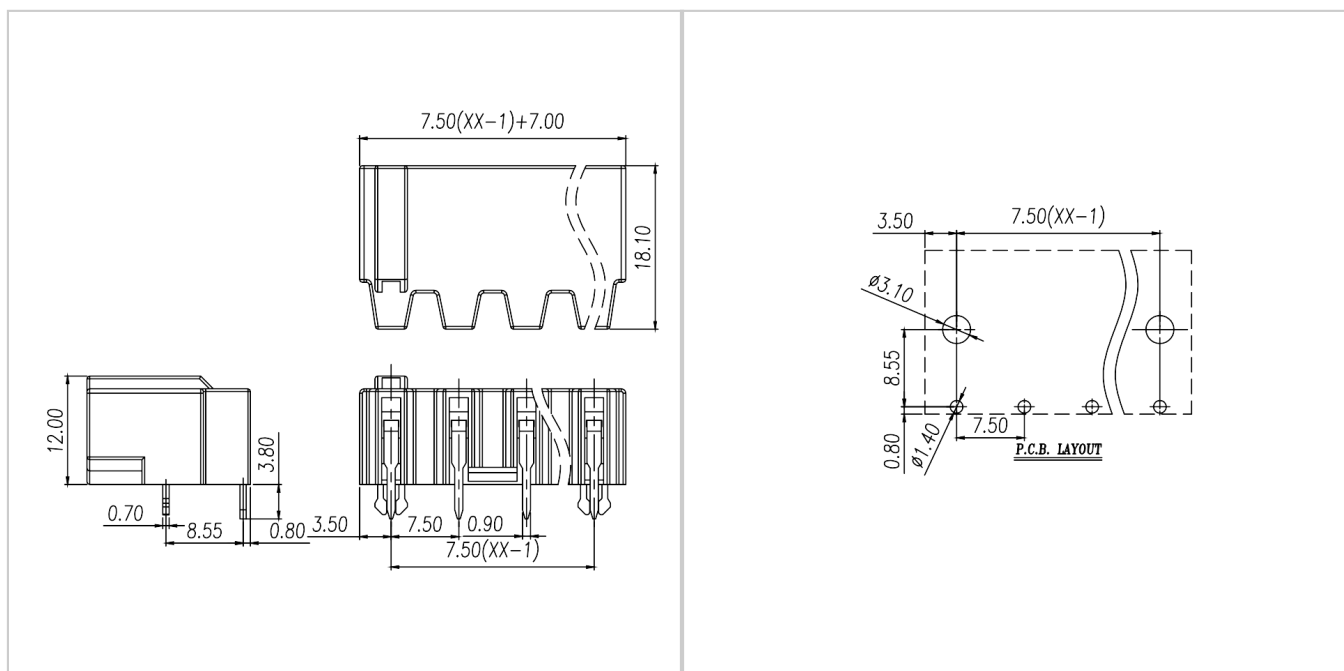
Flame retardant rating	UL94V-0
Conductor Material	Copper alloy
Plating of conductor surface	Au plated area

Other Data

Pitch/Poles [mm]/[P]	7.5/2 , 3 , 4 , 5 , 6 , 7 , 8 , 9 , 11
Stripping Length [mm]	/
Screw/Torque(Max)[N.m]	/
Operating temperature [°C]	-40~+130
Soldering temperature	285°C
Pin dimensions [mm]	0.7*0.9
PCB Hole Diameter [mm]	Ø1.4

Dimensions

PCB opening diagram



Accessories

WJ9RC-7.5
PLUG-IN TERMINAL BLOCK



[WJ9KS-7.5](#)