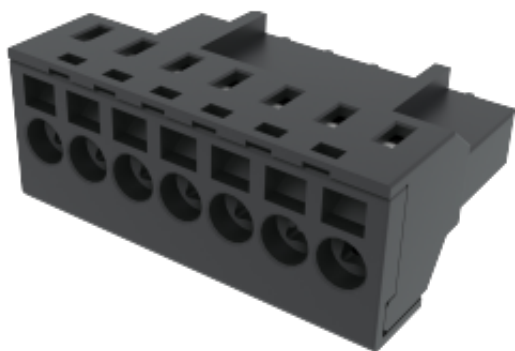


WJ9KS-5.0
PLUG-IN TERMINAL BLOCK



PCB connector
 Rated current: 16 A
 Rated voltage: 300 V
 Pitch: 5.0 mm



For reference only!version1.0

UL/CUL

Use Group	B	C	D
Rate Voltage [V]	300	/	300
Rated Current [A]	16	/	10
Wire Range [AWG]	28-12		
Dielectric Voltage-Withstand	1.6KV		

IEC

Overvoltage Category	III	III	II
Contamination Class	3	2	2
Rated Voltage [V]	160	160	320
Rated Current [A]	20	20	20
Impulse withstand voltage [KV]	4	4	4
Conductor cross section[solid/flexible] [mm²]	0.2-2.5		

Material

Insulation Material	PA66
Flame relardant rating	UL94V-0

WJ9KS-5.0

PLUG-IN TERMINAL BLOCK

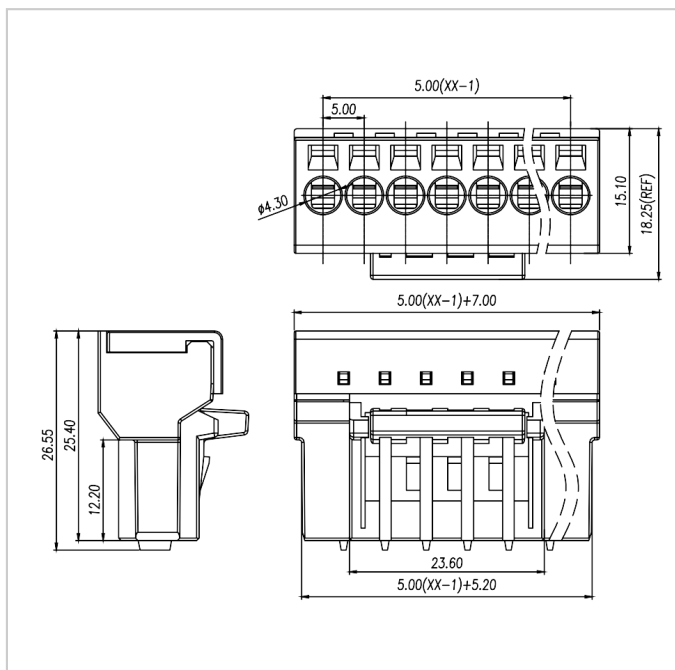


Conductor Material	Copper alloy
Plating of conductor surface	Au plated area

Other Data

Pitch/Poles [mm]/[P]	5.0/02 , 04 , 05 , 06 , 07 , 08 , 09 , 10 , 11 , 12 , 13 , 14
Stripping Length [mm]	7-8
Screw/Torque(Max)[N.m]	/
Operating temperature [°C]	-40~+105
Soldering temperature	/
Pin dimensions [mm]	/
PCB Hole Diameter [mm]	/

Dimensions



Accessories

[WJ9RC-5.0](#)

[WJT01](#)