

PCB connector
 Rated current: 41 A
 Rated voltage: 300 V
 Pitch: 7.62 mm
 Mounting: Wave soldering



For reference only!version1.0

UL/CUL

Use Group	B	C	D
Rate Voltage [V]	300	300	300
Rated Current [A]	41	41	10
Wire Range [AWG]	/		
Dielectric Voltage-Withstand	1.6KV		

IEC

Overvoltage Category	III	III	II
Contamination Class	3	2	2
Rated Voltage [V]	630	630	1000
Rated Current [A]	41	41	41
Impulse withstand voltage [KV]	6	6	6
Conductor cross section[solid/flexible] [mm ²]	/		

Material

Insulation Material	PA66
---------------------	------

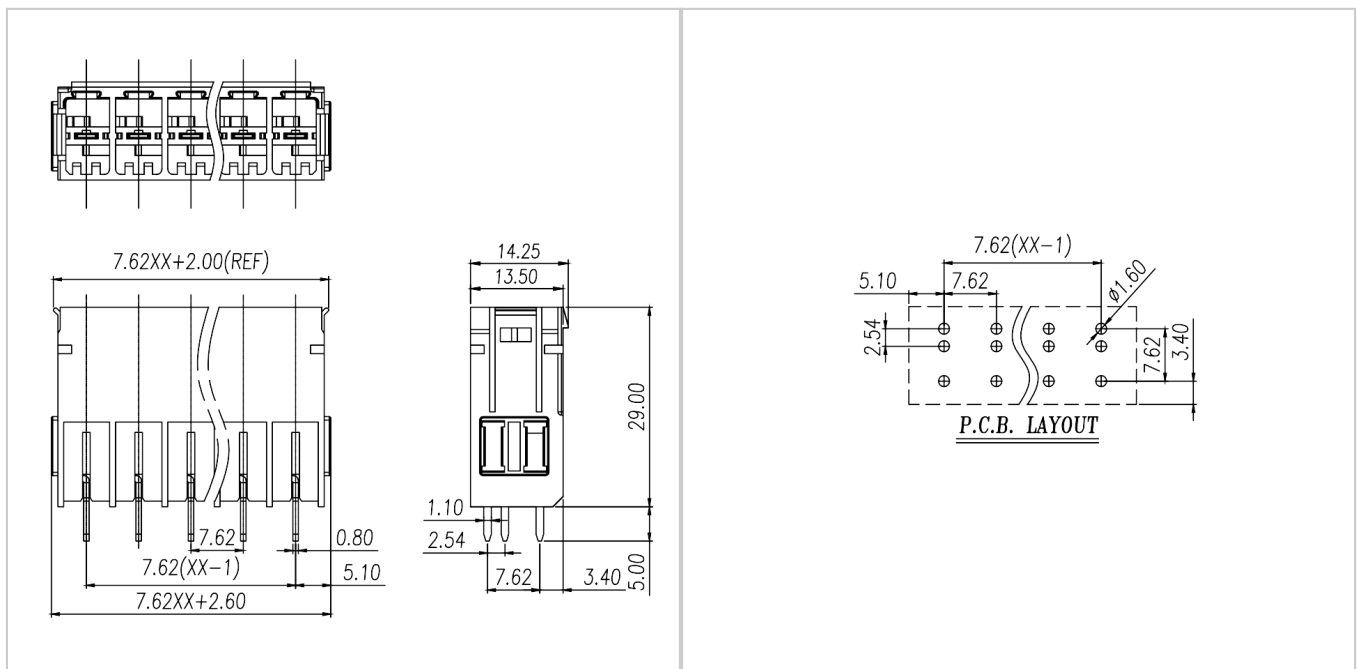
Flame retardant rating	UL94V-0
Conductor Material	Copper alloy
Plating of conductor surface	Sn plated

Other Data

Pitch/Poles [mm]/[P]	7.62/2-12
Stripping Length [mm]	/
Screw/Torque(Max)[N.m]	/
Operating temperature [°C]	-40~+105
Soldering temperature	260°C/5S
Pin dimensions [mm]	0.8*1.0
PCB Hole Diameter [mm]	Ø1.6

Dimensions

PCB opening diagram



Accessories

WJ3EDGVH-7.62
PLUG-IN TERMINAL BLOCK



[WJ3EDGKH-7.62](#)