



PCB terminal block
 Rated current: 8 A
 Rated voltage: 300 V
 Wire range: 28-16 AWG
 Pitch: 3.5 mm



For reference only!version1.0

UL/CUL

Use Group	B	C	D
Rate Voltage [V]	300	-	300
Rated Current [A]	8	-	8
Wire Range [AWG]	28~16		
Dielectric Voltage-Withstand	1.6KV		

IEC

Overvoltage Category	III	III	II
Contamination Class	3	2	2
Rated Voltage [V]	160	250	250
Rated Current [A]	8	8	8
Impulse withstand voltage [KV]	2.5	2.5	2.5
Conductor cross section[solid/flexible] [mm ²]	0.2~1.0		

Material

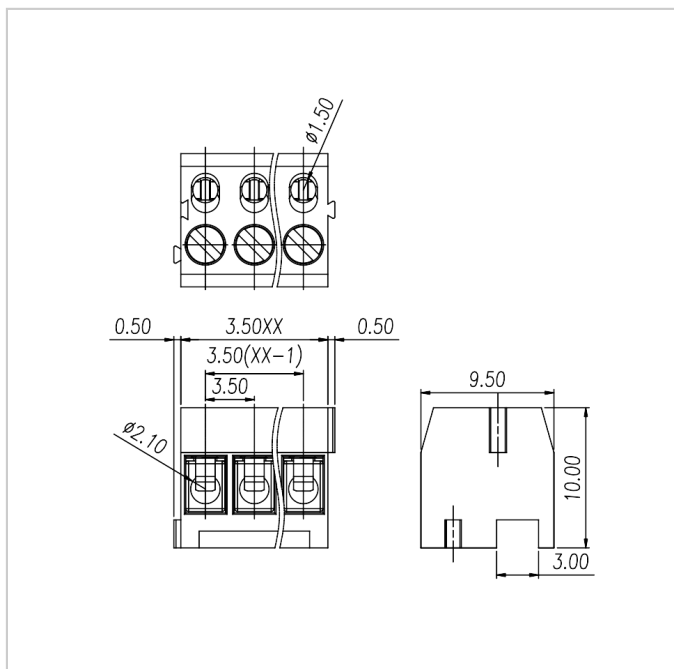
Insulation Material	PA66
---------------------	------

Flame retardant rating	UL94V-0
Conductor Material	Copper alloy
Plating of conductor surface	Sn plated

Other Data

Pitch/Poles [mm]/[P]	3.5/2~24
Stripping Length [mm]	5~6
Screw/Torque(Max)[N.m]	M2/0.2
Operating temperature [°C]	-40~+105
Soldering temperature	/
Pin dimensions [mm]	/
PCB Hole Diameter [mm]	/

Dimensions



Accessories



[WJ333J-3.5](#)