



PCB connector
 Rated current: 15 A
 Rated voltage: 300 V
 Wire range: 28-12 AWG
 Pitch: 5.08 mm



For reference only!version1.0

UL/CUL

Use Group	B	C	D
Rate Voltage [V]	300	-	300
Rated Current [A]	15	-	10
Wire Range [AWG]	28~12		
Dielectric Voltage-Withstand	1.6KV		

IEC

Overvoltage Category	III	III	II
Contamination Class	3	2	2
Rated Voltage [V]	250	320	630
Rated Current [A]	12	12	12
Impulse withstand voltage [KV]	4	4	4
Conductor cross section[solid/flexible] [mm ²]	0.2~2.5		

Material

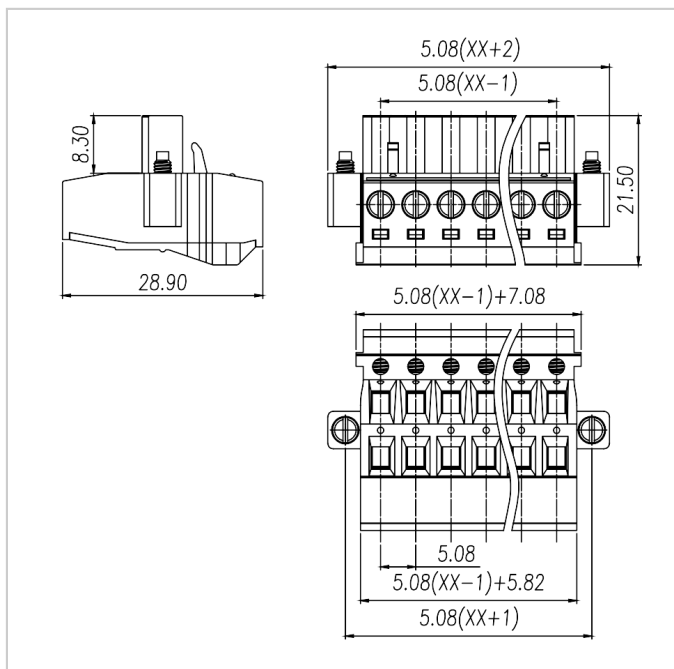
Insulation Material	PA66
---------------------	------

Flame retardant rating	UL94V-0
Conductor Material	Copper alloy
Plating of conductor surface	Sn plated

Other Data

Pitch/Poles [mm]/[P]	5.08/2~24
Stripping Length [mm]	7~8
Screw/Torque(Max)[N.m]	M3/0.5
Operating temperature [°C]	-40~+105
Soldering temperature	/
Pin dimensions [mm]	/
PCB Hole Diameter [mm]	/

Dimensions



Accessories



[WJ2EDGVM-5.0/5.08](#)



[WJ2EDGRM-5.0/5.08](#)



[WJ2EDGVM-THT-5.08](#)



[WJ2EDGRM-THT-5.08](#)

[WJ2EDGLM-5.0/5.08](#)

[WJ2EDGKDRN-5.0/5.08](#)

[WJ2CDGM-5.0/5.08](#)