

WJ2EDGKFM-5.0/5.08  
PLUG-IN TERMINAL BLOCK



PCB connector  
 Rated current: 15 A  
 Rated voltage: 300 V  
 Wire range: 28-12 AWG  
 Pitch: 5.0 mm/5.08 mm



For reference only!version1.0

UL/CUL

Use Group	B	C	D
Rate Voltage [V]	300	-	300
Rated Current [A]	15	-	10
Wire Range [AWG]	28-12		
Dielectric Voltage-Withstand	1.6KV		

IEC

Overvoltage Category	III	III	II
Contamination Class	3	2	2
Rated Voltage [V]	250	320	630
Rated Current [A]	20	20	20
Impulse withstand voltage [KV]	4	4	4
Conductor cross section[solid/flexible] [mm <sup>2</sup> ]	0.2-2.5		

Material

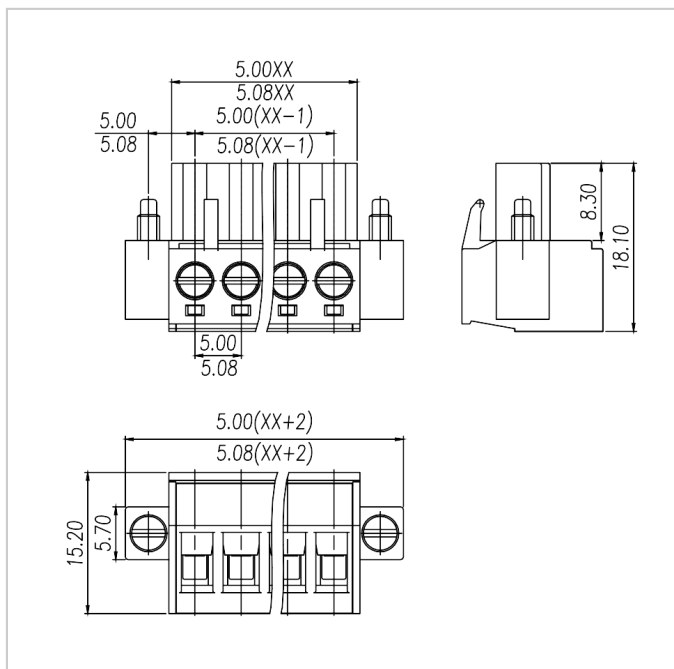
Insulation Material	PA66
---------------------	------

Flame retardant rating	UL94V-0
Conductor Material	Copper alloy
Plating of conductor surface	Sn plated

### Other Data

Pitch/Poles [mm]/[P]	5.0 , 5.08/2-24
Stripping Length [mm]	7-8
Screw/Torque(Max)[N.m]	M3/0.5
Operating temperature [°C]	-40~+105
Soldering temperature	/
Pin dimensions [mm]	/
PCB Hole Diameter [mm]	/

### Dimensions



### Accessories



[WJ2EDGVM-5.0/5.08](#)



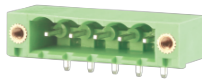
[WJ2EDGRM-5.0/5.08](#)



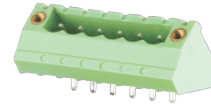
[WJ2EDGVM-THT-5.0/5.08](#)



[WJ2EDGRM-THT-5.0/5.08](#)



[WJ2EDGRRM-5.0/5.08](#)



[WJ2EDGLM-5.0/5.08](#)