



PCB connector

Rated current: 15 A

Rated voltage: 300 V

Wire range: 28-12 AWG

Pitch: 5.0 mm/5.08 mm



For reference only!version1.0

### UL/CUL

Use Group	B	C	D
Rate Voltage [V]	300	-	300
Rated Current [A]	15	-	10
Wire Range [AWG]	28-12		
Dielectric Voltage-Withstand	1.6KV		

### IEC

Overvoltage Category	III	III	II
Contamination Class	3	2	2
Rated Voltage [V]	250	320	630
Rated Current [A]	20	20	20
Impulse withstand voltage [KV]	4	4	4
Conductor cross section[solid/flexible] [mm <sup>2</sup> ]	0.2-2.5		

### Material

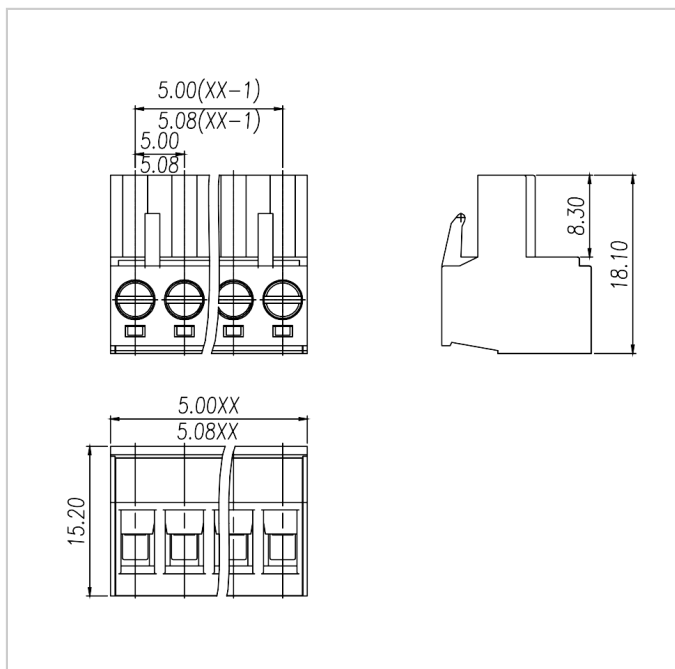
Insulation Material	PA66
---------------------	------

Flame retardant rating	UL94V-0
Conductor Material	Copper alloy
Plating of conductor surface	Sn plated

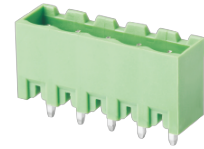
### Other Data

Pitch/Poles [mm]/[P]	5.0 , 5.08/2-24
Stripping Length [mm]	7-8
Screw/Torque(Max)[N.m]	M3/0.5
Operating temperature [°C]	-40~+105
Soldering temperature	/
Pin dimensions [mm]	/
PCB Hole Diameter [mm]	/

### Dimensions



### Accessories

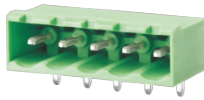


[WJ2EDGLF-5.0](#)

[WJ2EDGRF-5.0](#)

-

[WJ2EDGVC-5.0/5.08](#)

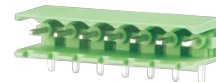


-

[WJ2EDGRC-5.0/5.08](#)

[WJ2EDGV-THT-5.0/5.08](#)

[WJ2EDGVC-THT-5.0/5.08](#)

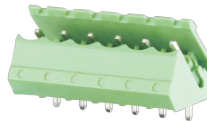
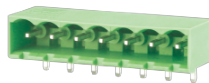


-

[WJ2EDGR-THT-5.0/5.08](#)

[WJ2EDGRC-THT-5.0/5.08](#)

[WJ2EDGRR-5.0/5.08](#)



-

[WJ2EDGRRC-5.0/5.08](#)

[WJ2EDGL-5.0/5.08](#)

[WJ2EDGLC-5.0/5.08](#)



[WJ2EDGKDR-5.0/5.08](#)

[WJ2EDGKR-5.0/5.08](#)

[WJ2EDGKRZ-5.0/5.08](#)

[WJ2EDGV-5.0/5.08](#)

[WJ2EDGR-5.0/5.08](#)

[FMDT-CTA-04P](#)

[FMDT-OTA-04P](#)