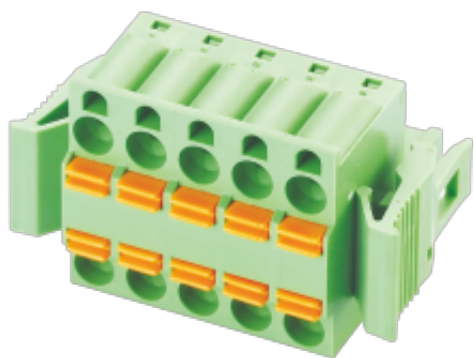


WJ2EDGKDHG-5.08
PLUG-IN TERMINAL BLOCK



PCB connector
 Rated current: 10 A
 Rated voltage: 300 V
 Wire range: 28-12 AWG
 Pitch: 5.08 mm
 Connection method: Push-in spring connection



For reference only!version1.0

UL/CUL

Use Group	B	C	D
Rate Voltage [V]	300	-	300
Rated Current [A]	10	-	10
Wire Range [AWG]	28-12		
Dielectric Voltage-Withstand	1.6KV		

IEC

Overvoltage Category	III	III	II
Contamination Class	3	2	2
Rated Voltage [V]	320	320	630
Rated Current [A]	12	12	12
Impulse withstand voltage [KV]	4	4	4
Conductor cross section[solid/flexible] [mm ²]	0.2-2.5		

Material

WJ2EDGKDHG-5.08

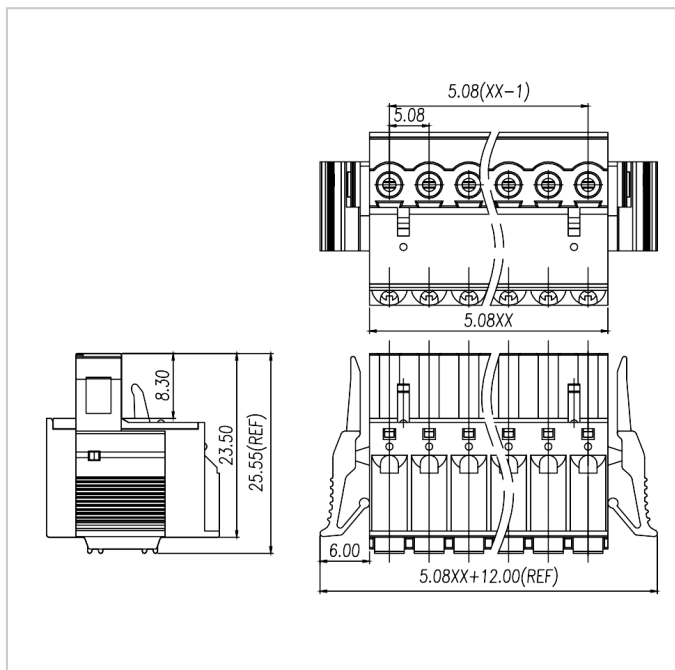
PLUG-IN TERMINAL BLOCK

Insulation Material	PA66
Flame retardant rating	UL94V-0
Conductor Material	Copper alloy
Plating of conductor surface	Sn plated

Other Data

Pitch/Poles [mm]/[P]	5.08/2-24
Stripping Length [mm]	9-10
Screw/Torque(Max)[N.m]	/
Operating temperature [°C]	-40~+105
Soldering temperature	/
Pin dimensions [mm]	/
PCB Hole Diameter [mm]	/

Dimensions



Accessories



[WJ2EDGVG-5.08](#)



[WJ2EDGRG-5.08](#)



[WJ2EDGKDRG-5.0/5.08](#)