

PCB connector  
 Rated current: 18 A  
 Rated voltage: 300 V  
 Pitch: 5.08 mm  
 Mounting: Wave soldering



For reference only!version1.0

### UL/CUL

Use Group	B	C	D
Rate Voltage [V]	300	-	-
Rated Current [A]	18	-	-
Wire Range [AWG]	/		
Dielectric Voltage-Withstand	1.6KV		

### IEC

Overvoltage Category	III	III	II
Contamination Class	3	2	2
Rated Voltage [V]	250	320	400
Rated Current [A]	15	15	15
Impulse withstand voltage [KV]	4	4	4
Conductor cross section[solid/flexible] [mm <sup>2</sup> ]	/		

### Material

Insulation Material	PA66
---------------------	------

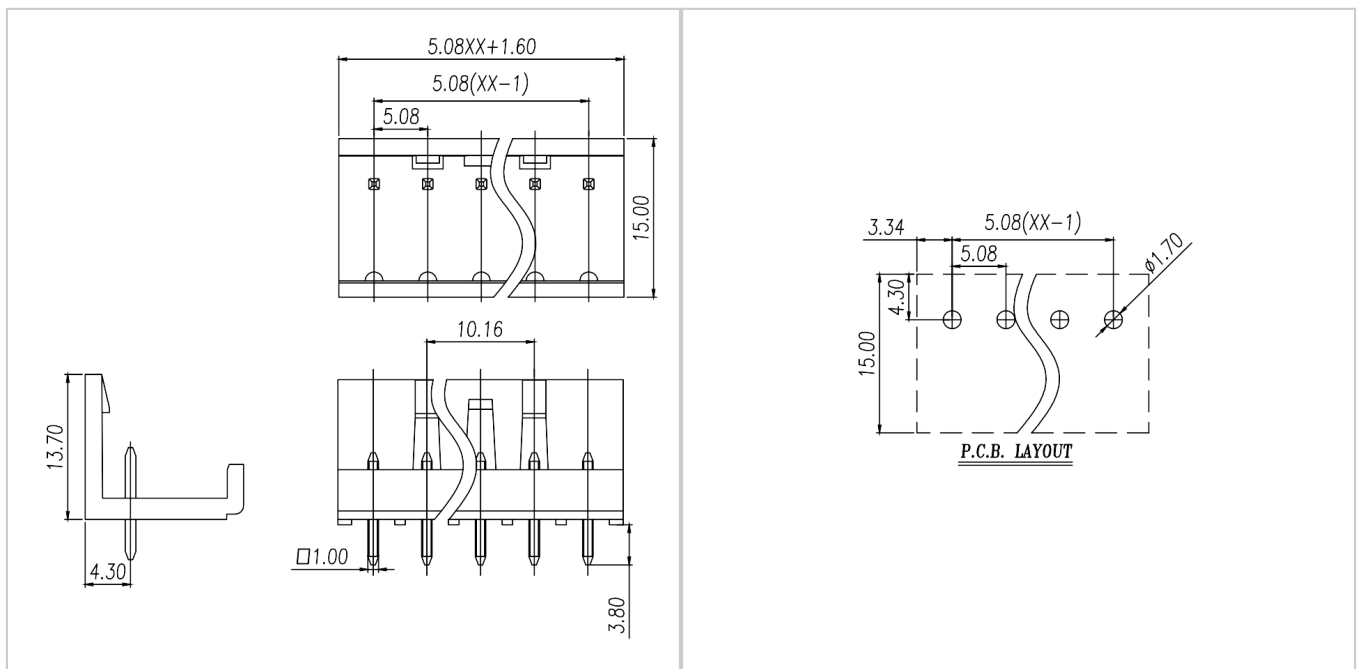
Flame retardant rating	UL94V-0
Conductor Material	Copper alloy
Plating of conductor surface	Sn plated

### Other Data

Pitch/Poles [mm]/[P]	5.08/2-24
Stripping Length [mm]	/
Screw/Torque(Max)[N.m]	/
Operating temperature [°C]	-40~+105
Pin dimensions [mm]	1.0*1.0
PCB Hole Diameter [mm]	Ø1.7
Soldering temperature	260°C/5S

### Dimensions

### PCB opening diagram



### Accessories

WJ2EDGJ-5.08  
PLUG-IN TERMINAL BLOCK

---



[WJ2EDGKJ-5.08](#)