

PCB connector
 Rated current: 15 A
 Rated voltage: 300 V
 Pitch: 7.62 mm
 Mounting: Wave soldering



For reference only!version1.0

UL/CUL

Use Group	B	C	D
Rate Voltage [V]	300	-	300
Rated Current [A]	15	-	10
Wire Range [AWG]	/		
Dielectric Voltage-Withstand	1.6KV		

IEC

Overvoltage Category	III	III	II
Contamination Class	3	2	2
Rated Voltage [V]	500	630	1000
Rated Current [A]	12	12	12
Impulse withstand voltage [KV]	6	6	6
Conductor cross section[solid/flexible] [mm ²]	/		

Material

Insulation Material	PA66
---------------------	------

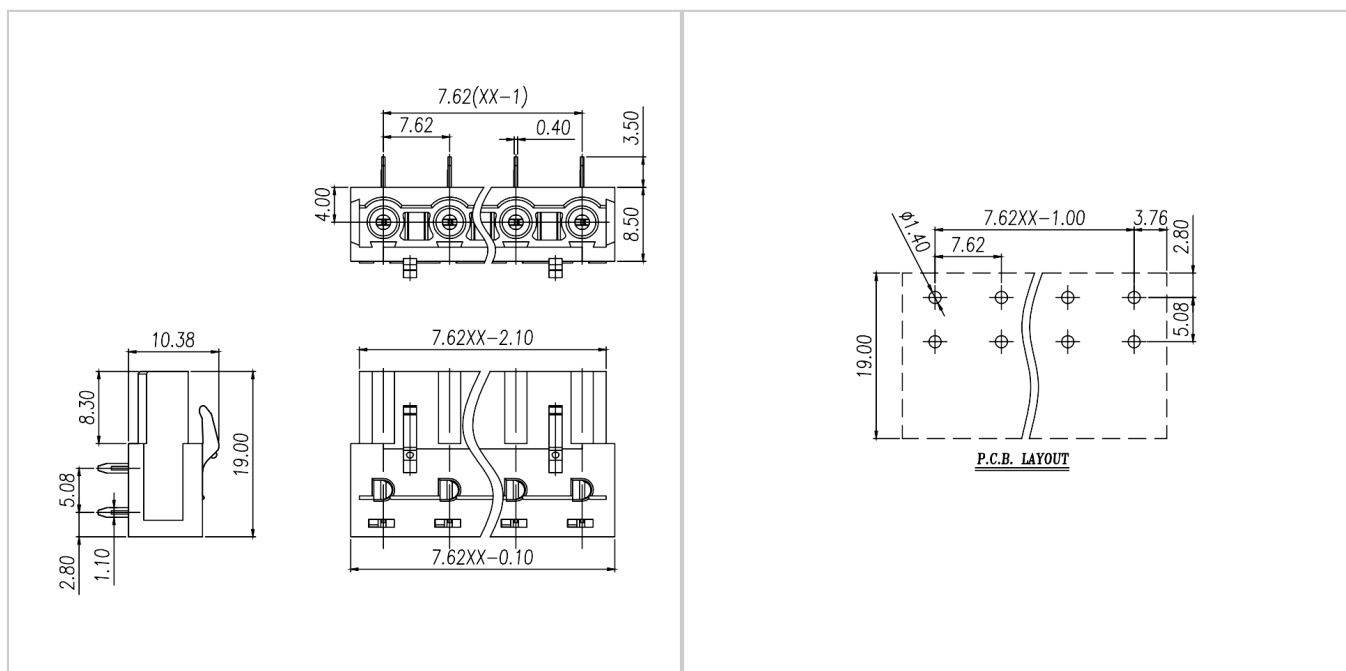
Flame retardant rating	UL94V-0
Conductor Material	Copper alloy
Plating of conductor surface	Sn plated

Other Data

Pitch/Poles [mm]/[P]	7.62/2-16
Stripping Length [mm]	/
Screw/Torque(Max)[N.m]	/
Operating temperature [°C]	-40~+105
Soldering temperature	260°C/5S
Pin dimensions [mm]	0.4*1.1
PCB Hole Diameter [mm]	□1.4

Dimensions

PCB opening diagram



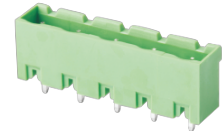
Accessories



[WJ2EDGV-7.5/7.62](#)



[WJ2EDGR-7.5/7.62](#)



[WJ2EDGVC-7.5/7.62](#)



[WJ2EDGRC-7.5/7.62](#)



[WJ2EDGKR-7.62](#)