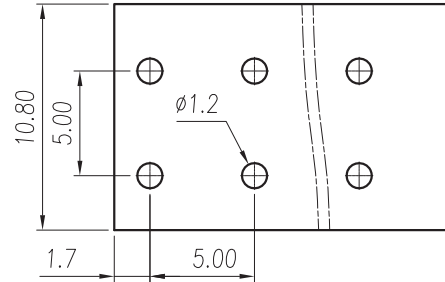
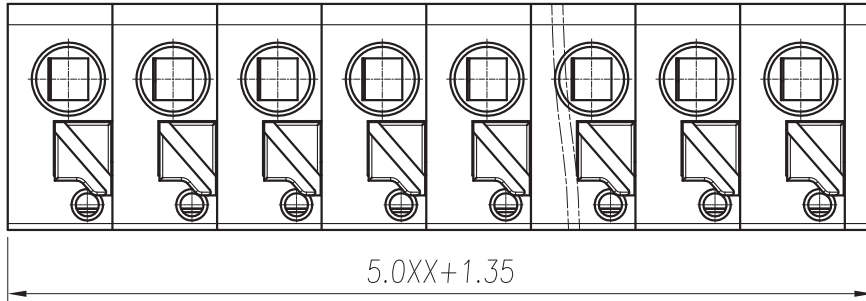


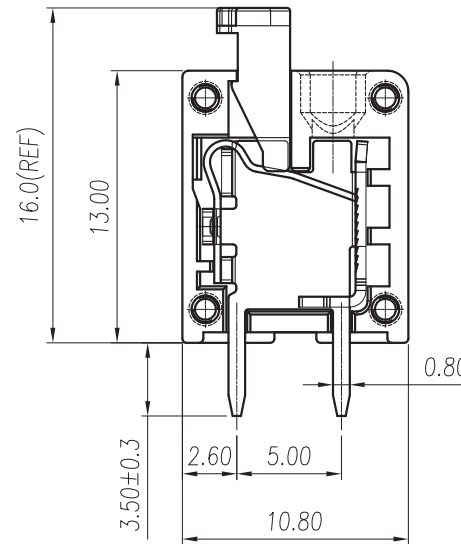
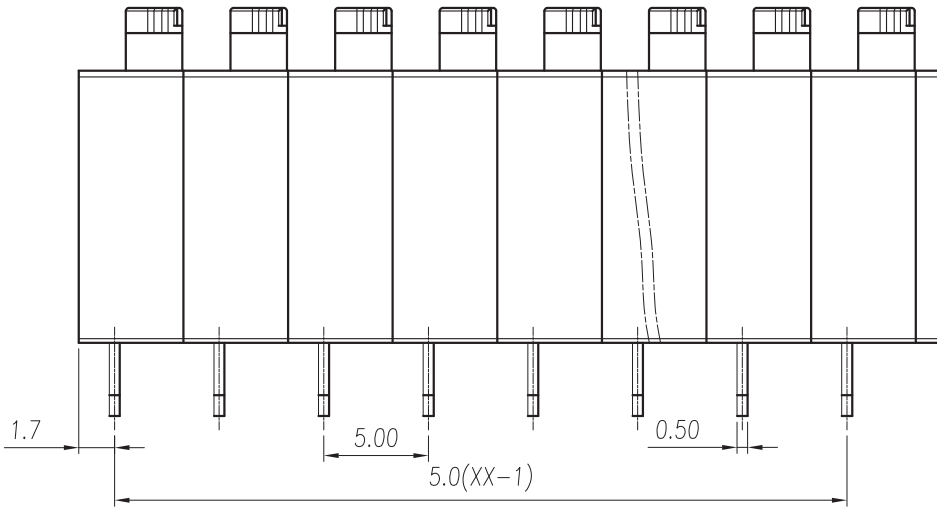
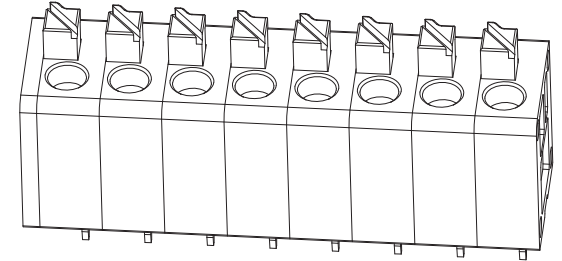


CIXI WANJIE ELECTRONIC CO., LTD

THE SPEC SHEET



P.C.B. LAYOUT



Electrical

- Standard: UL IEC
- Rated voltage: 300V 250V
- Rated current: 10A 10A
- Contact resistance: 20mΩ
- Wire range: 20-16AWG 1.0mm²
- Withstanding voltage: AC2000V/1Min
- Insulation resistance: 500MΩ/DC500V

Mechanical

- Temp.Range: -40° C~+105° C
- Strip length: 9-10mm

Dimensions

- Pitch: 5.0mm
- Poles: 2P-24P

Material

- Housing: PA66, UL94V-0
- Pin header: Brass, Tin plated
- shrapnel: stainless steel

linear dimension(Tolerances Standard GB/T 14486-2008)											≡	—	□	//	⊥	
variable range	to 6	over 6 to 10	over 10 to 18	over 18 to 30	over 30 to 50	over 50 to 80	over 80 to 120	over 120 to 160	over 160 to 200	over 200 to 250	all	to 5	over 5 to 30	over 30 to 120	over 120 to	
tolerance	±0.1	±0.14	±0.19	±0.25	±0.32	±0.43	±0.57	±0.72	±0.88	±1.05	±1.25	0.5	0.025	0.06	0.12	0.4

UNITS	mm	SIZE	A4	SCALE	3:1	THIRD ANGLE PROJECTION	
CIXI WANJIE ELECTRONIC CO., LTD						TITLE	WJ236-5.0-XXP-1YY-00A