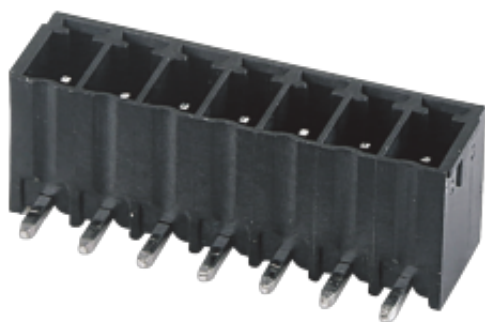


WJ15EDGRC-THR-3.5/3.81
PLUG-IN TERMINAL BLOCK



PCB connector
 Rated current: 8 A
 Rated voltage: 300 V
 Pitch: 3.5 mm/3.81 mm
 Mounting: Reflow soldering



For reference only!version1.0

UL/CUL

Use Group	B	C	D
Rate Voltage [V]	300	-	300
Rated Current [A]	8	-	8
Wire Range [AWG]	/		
Dielectric Voltage-Withstand	1.6KV		

IEC

Overvoltage Category	III	III	II
Contamination Class	3	2	2
Rated Voltage [V]	160	160	250
Rated Current [A]	8	8	8
Impulse withstand voltage [KV]	2.5	2.5	2.5
Conductor cross section[solid/flexible] [mm ²]	/		

Material

Insulation Material	LCP
---------------------	-----

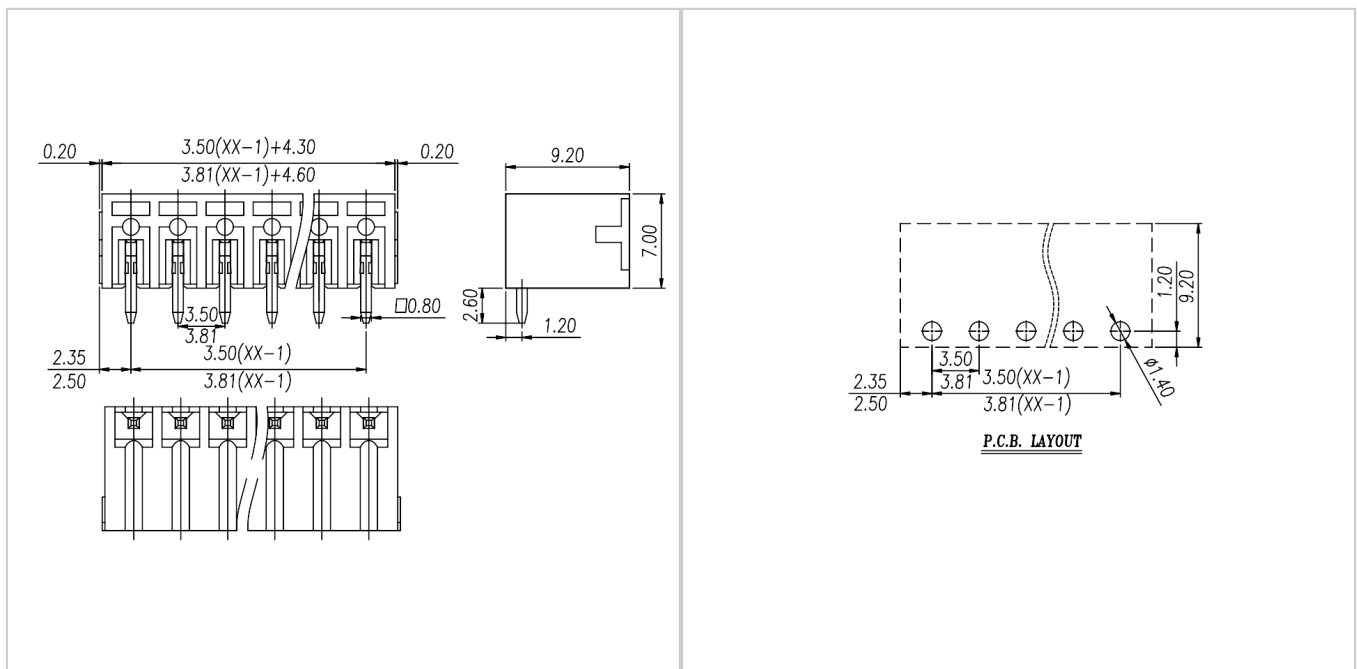
Flame retardant rating	UL94V-0
Conductor Material	Copper alloy
Plating of conductor surface	Sn plated

Other Data

Pitch/Poles [mm]/[P]	3.5 , 3.81/2~24
Stripping Length [mm]	/
Screw/Torque(Max)[N.m]	/
Operating temperature [°C]	-40~+130
Soldering temperature	285°C/10S
Pin dimensions [mm]	0.8*0.8
PCB Hole Diameter [mm]	Ø1.4

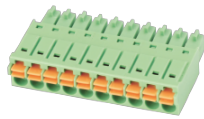
Dimensions

PCB opening diagram



Accessories

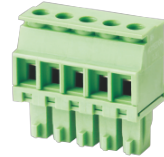
WJ15EDGRC-THR-3.5/3.81
PLUG-IN TERMINAL BLOCK



[WJ15EDGKN-3.5/3.81](#)



[WJ15EDGK-3.5/3.81](#)



[WJ15EDGKA-3.5/3.81](#)



[WJ15EDGKB-3.5/3.81](#)



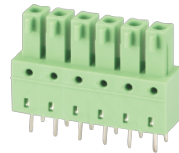
[WJ15EDGKC-3.81](#)



[WJ15EDGKD-3.5/3.81](#)



[WJ15EDGA-3.5/3.81](#)



[WJ15EDGB-3.5/3.81](#)