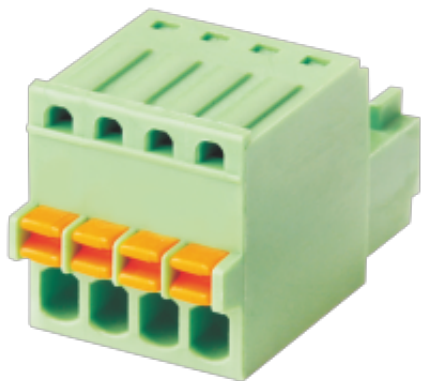


WJ15EDGKD-2.5  
PLUG-IN TERMINAL BLOCK



PCB connector  
 Rated current: 5 A  
 Rated voltage: 150 V  
 Wire range: 26-20 AWG  
 Pitch: 2.5 mm  
 Connection method: Push-in spring connection



For reference only!version1.0

UL/CUL

Use Group	B	C	D
Rate Voltage [V]	150	-	-
Rated Current [A]	5	-	-
Wire Range [AWG]	26~20		
Dielectric Voltage-Withstand	1.3KV		

IEC

Overvoltage Category	III	III	II
Contamination Class	3	2	2
Rated Voltage [V]	100	160	320
Rated Current [A]	6	6	6
Impulse withstand voltage [KV]	1.5	2.5	2.5

Conductor cross section[solid/flexible] [mm <sup>2</sup> ]	0.2~0.5
--	---------

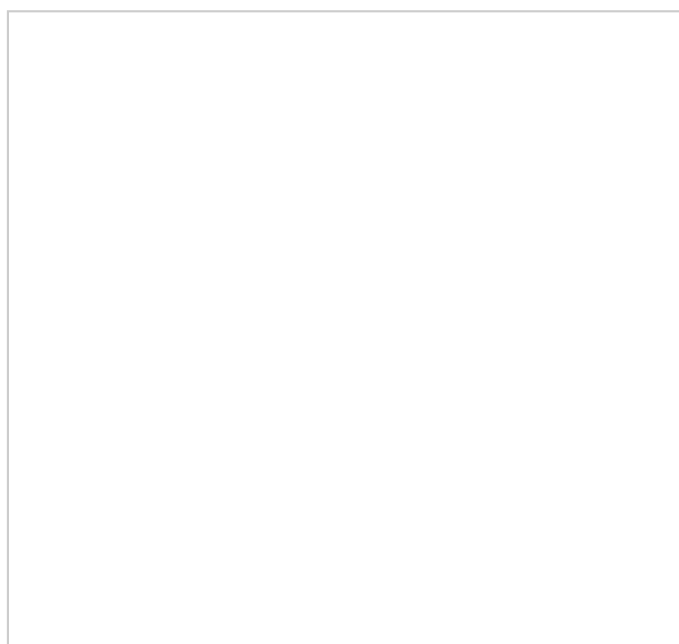
## Material

Insulation Material	PA66
Flame retardant rating	UL94V-0
Conductor Material	Copper alloy
Plating of conductor surface	Sn plated

## Other Data

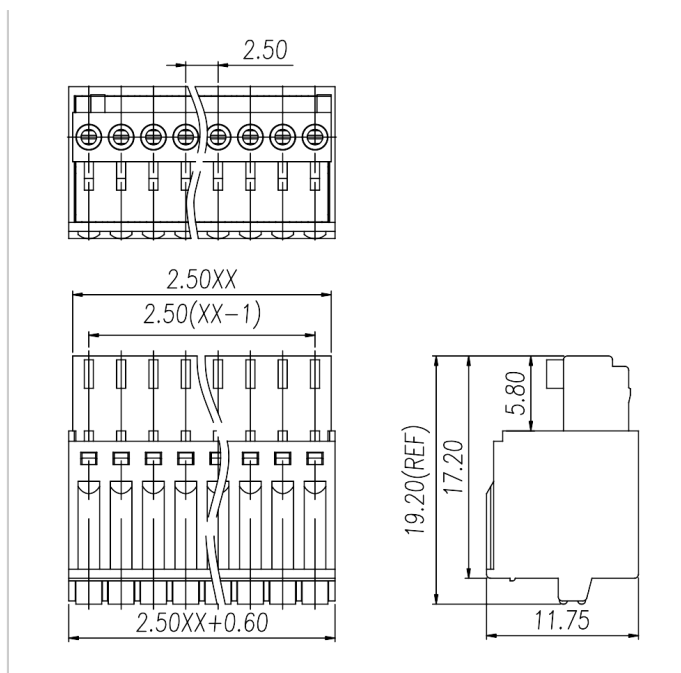
Pitch/Poles [mm]/[P]	2.5/2~24
Stripping Length [mm]	7~8
Screw/Torque(Max)[N.m]	/
Operating temperature [°C]	-40~+105
Soldering temperature	/
Pin dimensions [mm]	/
PCB Hole Diameter [mm]	/

## Dimensions

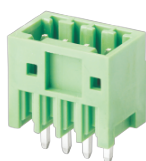


# WJ15EDGKD-2.5

## PLUG-IN TERMINAL BLOCK



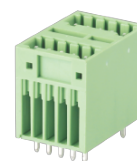
### Accessories



[WJ15EDGVC-2.5](#)



[WJ15EDGRC-2.5](#)



[WJ15EDGVH-2.5](#)



[WJ15EDGRH-2.5](#)