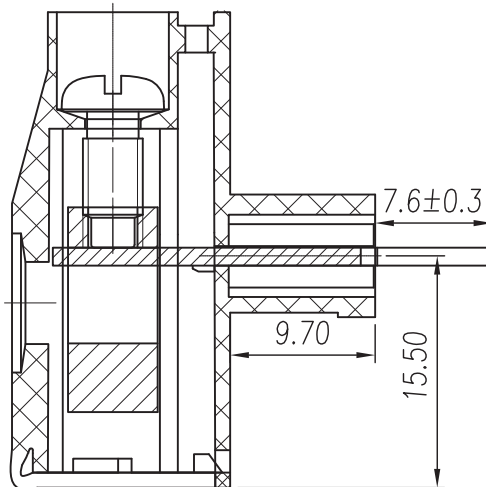
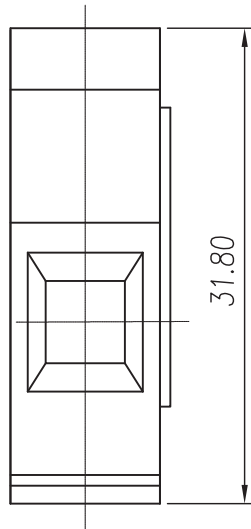
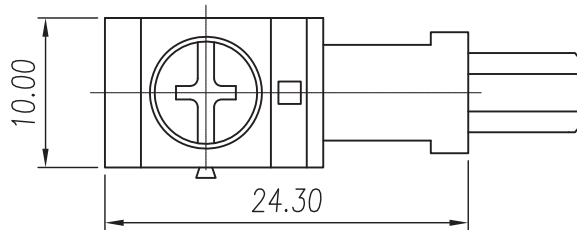




# CIXI WANJIE ELECTRONIC CO., LTD

THE SPEC SHEET



## Electrical

Standard	UL	IEC
Rated voltage	300V	750V
Rated current	30A	35A
Contact resistance	20mΩ	
Insulation resistance	500MΩ/DC500V	
Wire range	22~10AWG	4.0mm <sup>2</sup>
Wrth standing voltage	AC 2000V/1 Min	

## Mechanical

Torque	1.2Nm(10.53Lb.in)
Temp.Range	-40°C~+105°C
MAX Soldering	+250°C, for 5 Sec
Steip Length	4.5-5mm

## Dimensions

Pitch	5.0mm, 10 mm
Poles	01p

## Material

Housing	PA66, UL94V-0
Screws	M4 Steel, Zn plated
Pin header	Brass , Tin plated
Cage	Brass ,Ni plated

linear dimension(Tolerances Standard GB/T 14486-2008)

	linear dimension(Tolerances Standard GB/T 14486-2008)											≡	—	□	//	⊥
variable range	to 6	over 6 to 10	over 10 to 18	over 18 to 30	over 30 to 50	over 50 to 80	over 80 to 120	over 120 to 160	over 160 to 200	over 200 to 250	over 250 to	all	to 5	over 5 to 30	over 30 to 120	over 120 to
tolerance	±0.1	±0.14	±0.19	±0.25	±0.32	±0.43	±0.57	±0.72	±0.88	±1.05	±1.25	0.5	0.025	0.06	0.12	0.4

UNITS	mm	SIZE	A4	SCALE	1:1	THIRD ANGLE PROJECTION	
CIXI WANJIE ELECTRONIC CO., LTD						TITLE	WJ1010-10.0-01P-1YY-01A