



For reference only!version1.0

UL/CUL

Use Group	B	C	D
Rate Voltage [V]	300	-	300
Rated Current [A]	15	-	10
Wire Range [AWG]	28-12		
Dielectric Voltage-Withstand	1.6KV		

IEC

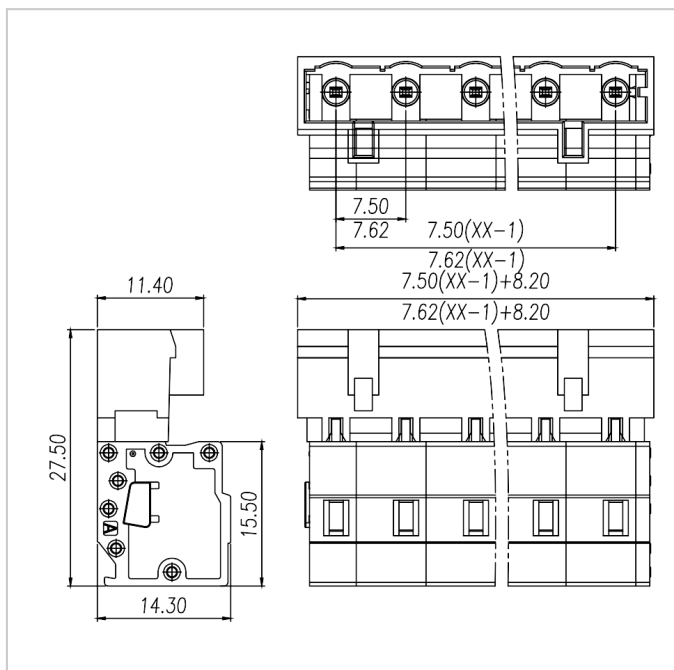
Overvoltage Category	III	III	II
Contamination Class	3	2	2
Rated Voltage [V]	320	320	630
Rated Current [A]	12	12	12
Impulse withstand voltage [KV]	6	6	6
Conductor cross section[solid/flexible] [mm ²]	0.25-2.5		

Material

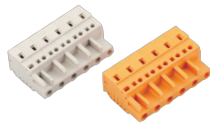
Insulation Material	PA66
Flame retardant rating	UL94V-0

Conductor Material	Copper alloy
Plating of conductor surface	Sn plated
Other Data	
Pitch/Poles [mm]/[P]	7.5 , 7.62/2-24
Stripping Length [mm]	8-9
Screw/Torque(Max)[N.m]	/
Operating temperature [°C]	-40~+105
Soldering temperature	/
Pin dimensions [mm]	/
PCB Hole Diameter [mm]	/

Dimensions



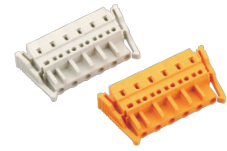
Accessories



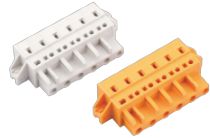
[WJ0601/0701-02XX](#)



[WJ0601/0701-04XX](#)



[WJ0601/0701-06XX](#)



[WJ0601/0701-08XX](#)

[WJ0605/0705-02XX](#)

[WJ0605/0705-04XX](#)