

MCS terminal Block  
 Rated current: 15 A  
 Rated voltage: 300 V  
 Wire range: 28-12 AWG  
 Pitch: 7.5 mm/7.62 mm



For reference only!version1.0

### UL/CUL

Use Group	B	C	D
Rate Voltage [V]	300	-	300
Rated Current [A]	15	-	10
Wire Range [AWG]	28-12		
Dielectric Voltage-Withstand	1.6KV		

### IEC

Overvoltage Category	III	III	II
Contamination Class	3	2	2
Rated Voltage [V]	320	320	630
Rated Current [A]	16	16	16
Impulse withstand voltage [KV]	6	6	6
Conductor cross section[solid/flexible] [mm <sup>2</sup> ]	0.25-2.5		

### Material

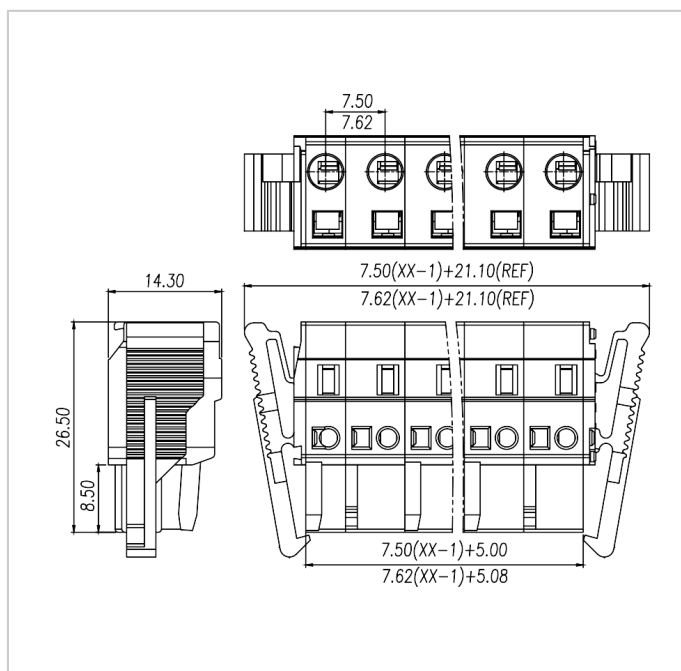
Insulation Material	PA66
---------------------	------

Flame retardant rating	UL94V-0
Conductor Material	Copper alloy
Plating of conductor surface	Sn plated

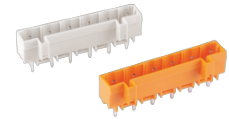
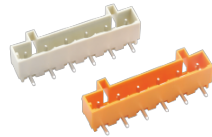
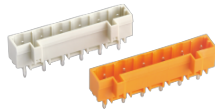
### Other Data

Pitch/Poles [mm]/[P]	7.5 , 7.62/2-24
Stripping Length [mm]	8-9
Screw/Torque(Max)[N.m]	/
Operating temperature [°C]	-40~+105
Soldering temperature	/
Pin dimensions [mm]	/
PCB Hole Diameter [mm]	/

### Dimensions



### Accessories



[WJ0602/0702-05XX](#)

[WJ0602/0702-06XX](#)

[WJ0602/0702-07XX](#)



[WJ0602/0702-08XX](#)

[WJ0603/0703-04XX](#)

[WJ0603/0703-05XX](#)



[WJ0603/0703-06XX](#)