

For reference only!version1.0

UL/CUL

Use Group	B	C	D
Rate Voltage [V]	300	-	300
Rated Current [A]	10	-	10
Wire Range [AWG]	/		
Dielectric Voltage-Withstand	1.6KV		

IEC

Overvoltage Category	III	III	II
Contamination Class	3	2	2
Rated Voltage [V]	160	160	320
Rated Current [A]	10	10	10
Impulse withstand voltage [KV]	2.5	2.5	2.5
Conductor cross section[solid/flexible] [mm ²]	/		

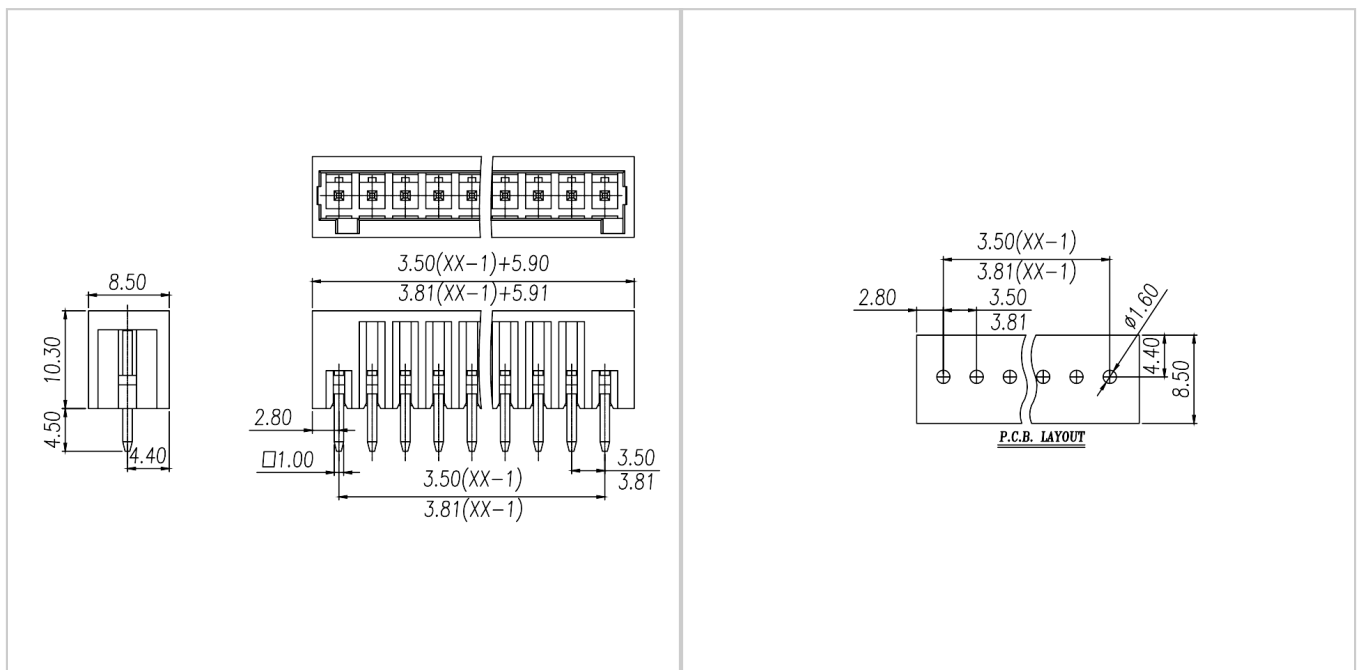
Material

Insulation Material	PA66
Flame retardant rating	UL94V-0

Conductor Material	Copper alloy
Plating of conductor surface	Sn plated
Other Data	
Pitch/Poles [mm]/[P]	3.5 , 3.81/2-24
Stripping Length [mm]	/
Screw/Torque(Max)[N.m]	/
Operating temperature [°C]	-40~+105
Soldering temperature	260°C/5S
Pin dimensions [mm]	1.0*1.0
PCB Hole Diameter [mm]	Ø1.6

Dimensions

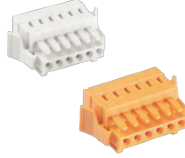
PCB opening diagram



Accessories



[WJ0201/0301-01XX](#)



[WJ0201/0301-02XX](#)