



For reference only!version1.0

UL/CUL

Use Group	B	C	D
Rate Voltage [V]	150	-	-
Rated Current [A]	4	-	-
Wire Range [AWG]	28-20		
Dielectric Voltage-Withstand	1.3KV		

IEC

Overvoltage Category	III	III	II
Contamination Class	3	2	2
Rated Voltage [V]	100	160	320
Rated Current [A]	6	6	6
Impulse withstand voltage [KV]	2.5	2.5	2.5
Conductor cross section[solid/flexible] [mm ²]	0.25-0.5		

Material

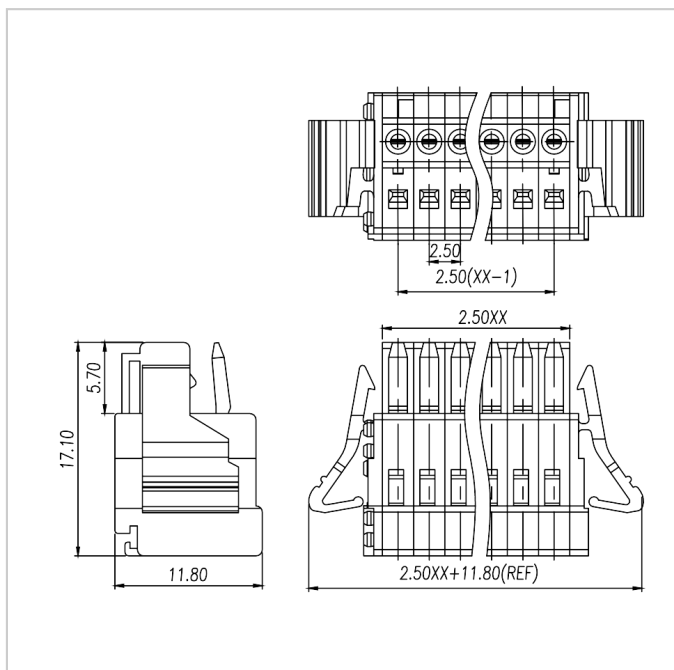
Insulation Material	PA66
Flame retardant rating	UL94V-0

Conductor Material	Copper alloy
Plating of conductor surface	Sn plated

Other Data

Pitch/Poles [mm]/[P]	2.5/2-12
Stripping Length [mm]	5-6
Screw/Torque(Max)[N.m]	/
Operating temperature [°C]	-40~+105
Soldering temperature	/
Pin dimensions [mm]	/
PCB Hole Diameter [mm]	/

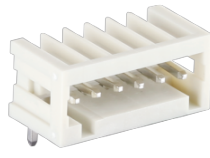
Dimensions



Accessories



[WJ0102-01XX](#)



[WJ0102-02XX](#)



[WJ0103-01XX](#)