

S.M.P.S

LED Converter

Water Proof Converter

F100WQ2 Series

100W single output with C.V circuit and PFC function



- Constant voltage design
- Built-in PFC function
- Protections: Over current / Over voltage / Short circuit
- IP68 design for outdoor installations
- 100% full load burn-in test
- Suitable for LED lighting and street lighting applications
- Safety standards : K61347-1, K61347-2-13
- EMC standards : K61547, K00015
- Metal case
- 3years warranty

IP68

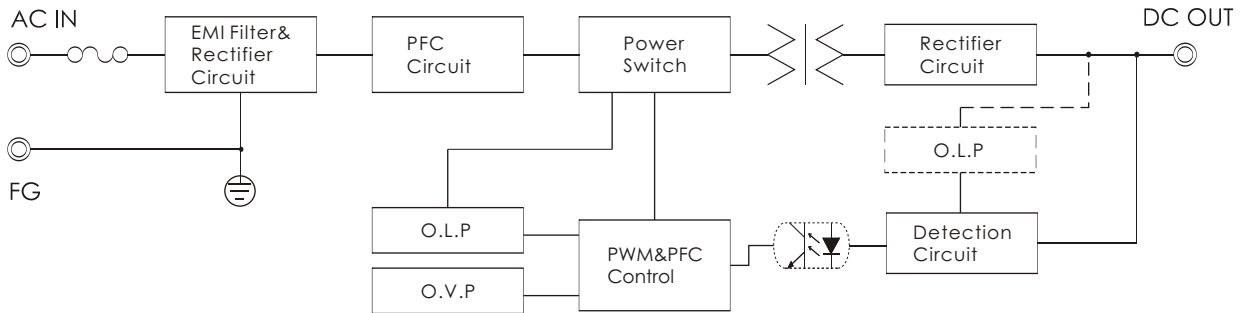
ITEM		UPF100S12WQ2
INPUT	VOLTAGE RANGE	AC160~305V
	FREQUENCY RANGE	47~63Hz
	POWER FACTOR	PF>0.9 at rated power
	EFFICIENCY(typ.)	85%
	AC CURRENT(typ.)	0.46A/230VAC
	INRUSH CURRENT(typ.)	40A/230VAC
	LEAKAGE CURRENT	<2.5mA / 230VAC
OUTPUT	DC VOLTAGE	12V
	RATED CURRENT	7.1A
	RATED POWER	86W
	CURRENT ACCURACY	±5%
	RIPPLE&NOISE(max.) Note2	150mVp-p
	SETUP,RISE TIME(max.)	3000ms,100ms/230VAC at full load
	HOLD UP TIME(typ.)	50ms/230VAC at full load
PROTEC-TION	OVER CURRENT Note3	Over 110% of rating ; recovers automatically after fault condition is removed
	SHORT CIRCUIT	Hiccup mode ; recovers automatically after fault condition is removed
	OVER VOLTAGE	110~140% of rating
ISOLA-TION	WITHSTAND VOLTAGE	I/P-O/P:AC3.75KV, I/P-F.G:AC2KV, O/P-F.G:AC1.5KV
	ISOLATION RESISTANCE	I/P-O/P, I/P-F.G, O/P-F.G:DC500V 100Mohms(At room temp. & humid.)
ENVIRON-MENT	WORKING TEMP.&HUMID.	-40~+70℃ (Refer to "DERATING CURVE),20~95%RH
	STORAGE TEMP.&HUMID.	-40~+80℃,10~95%RH
	VIBRATION	10~500Hz, 5G 12min./1cycle, period for 72min. each along X, Y, Z axes
OTHERS	DIMENSION/WEIGHT	184*61.5*37.1mm(L*W*H)/0.64Kg
NOTE	<p>1. All parameters not specially mentioned are measured at 230vac input, rated load and 25℃ of ambient temperature.</p> <p>2. ripple & noise are measured at 20MHz of bandwidth by using a 12" twisted pare-wire terminated with 0.1 uF & 47uF parallel capacitor.</p> <p>3. Refer to "DRIVING METHODS of LED MODULE"</p>	

S.M.P.S

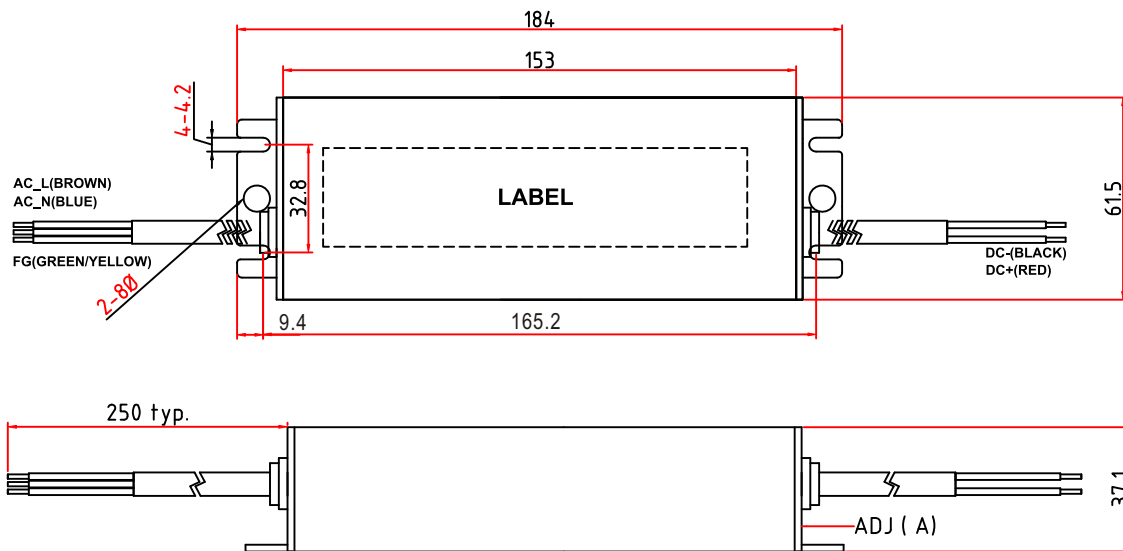
LED Converter

Water Proof Converter

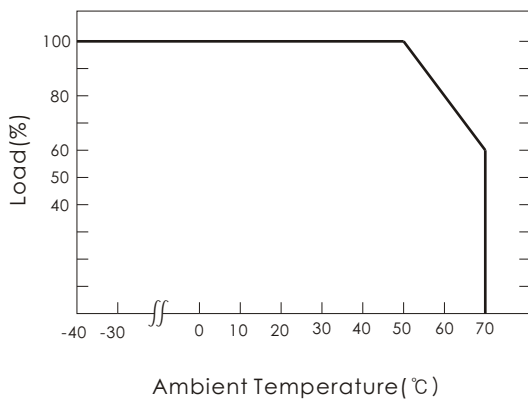
■ BLOCK DIAGRAM



■ DIMENSIONS(unit:mm)



■ DERATING CURVE



■ STATIC CHARACTERISTICS

