



GAIA TECH

Data Sheet

Customer:

Part No:

Sample No:

Description:

Item No:

GTT-1205IC

BUZZER

Customer			
Check	Inspection	Approval	Date



General specification

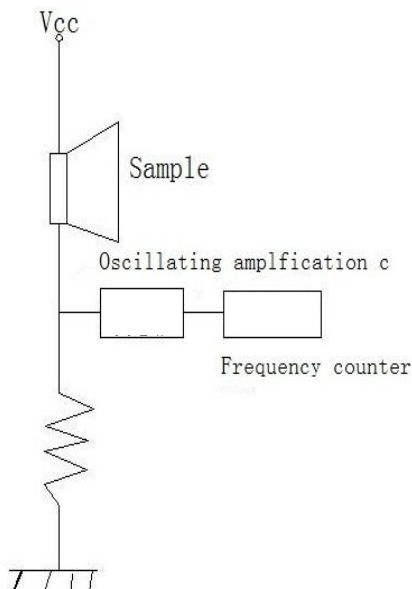
Item		Spec	Condition
1	Rated voltage	5VDC	
2	Operation voltage	3~7VDC	
3	Sound Pressure Level=SPL	Min 85dB	Standard State, Standard Drive Circuit. Rated voltage, Distance at 0.1m
4	Average consumption current	Max 30mA	
5	Oscillation frequency	2500±100Hz	
6	Response time	Max 50mS	Lowest operation voltage
7	Range of operation temperature	-20~+70°C	SPL≥75dB
8	Range of preservation temperature	-30~+80°C	
9	Terminal strength	10N	Pull load on the direction of the terminal axis
10	Externals size	Φ12x9.5	Refer to the attached drawing
11	Mass	2g	

☆Standard State: Ordinary Temp(15~35°C), Humidity(25~85%RH), Air pressure(860~1060

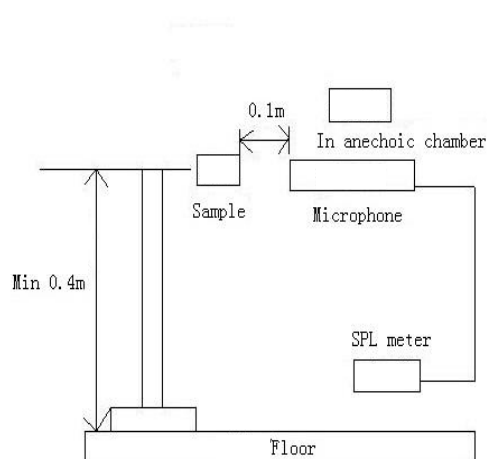
hPa) In case of doubtful judgment, the test is re—performed under Basic State.

☆Basic State: Temp.(20±2°C), Humidity(60~70%RH), Air pressure(860~1060hPa)

<Standard Drive Circuit>

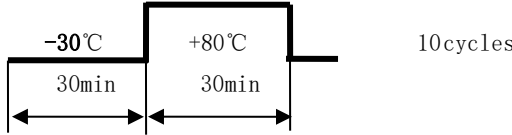
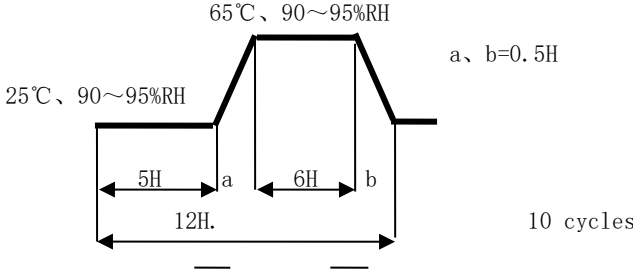


<Standard Test Fixture>



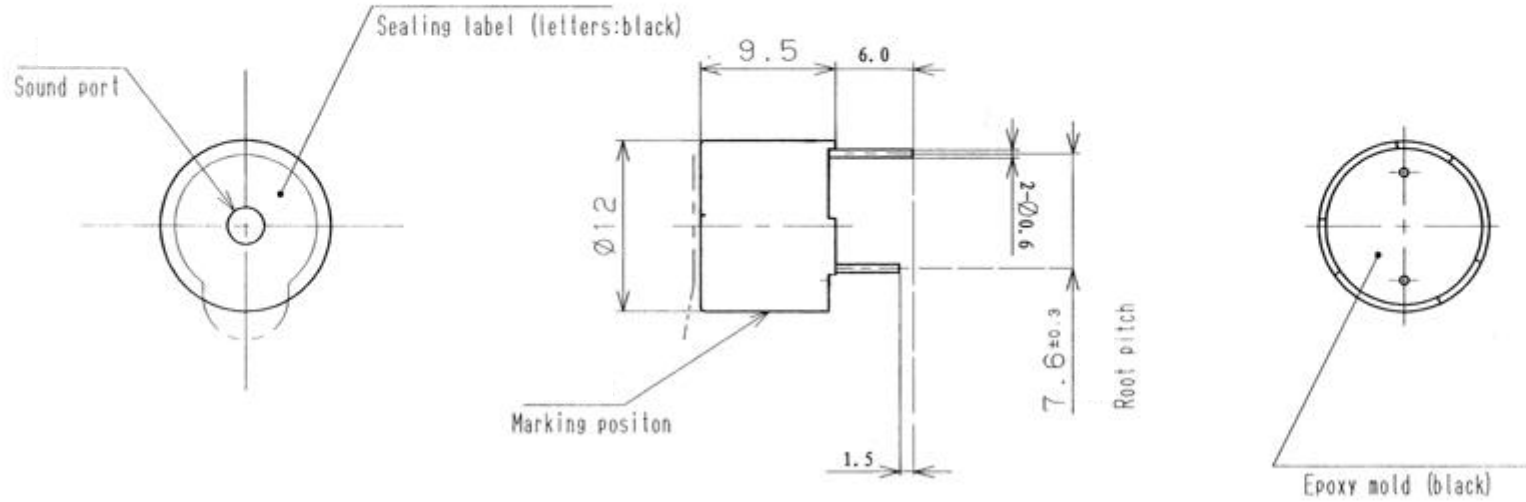


Reliability specification

Item	Test condition	Criteria	Reference specifications
1	High temperature Preservation Exposure to +80°C for 96 hrs.	After the test the part shall meet specifications without any degradation in appearance And performance except SPL. SPL shall be 80 dB More. (at 2500±100 Hz)	GB/T 2423.2
2	Low temperature preservation Exposure to -30°C for 96 hrs.		GB/T 2423.1
3	Thermal Shock 		GB/T 2423.4
4	Thermal, Humidity Shock 		
5	Ordinary Temp. Life Driving the sounder at 5VDC for 1000hrs in the room temperature (25°C ±10°C)		
6	High Temp. Life Driving the sounder at 5VDC for 500hrs in the low temperature (+70°C)		
7	Low Temp. Life Driving the sounder at 5VDC for 500hrs in the low temperature (-20°C)		
8	Lead strength Pull load on the direction of the terminal axis for 10±1 sec.		GB/T 2423.29
9	Vibration 10~55~10Hz Sinewave, Sweep 1 min, Amplitude 1.52mm Max 91m/S ² X, Y, Z 3 Direction 2hrs each, Total 6hrs		GB/T 2423.10
10	Free drop Free drop, 70cm height, on wood board (t40mm) X, Y, Z 3 Direction 1time each, total 3times.	Exclude bending of Pin	GB/T 2423.8
11	Solder heat resistance Soldering into solder bath: Solder Temp. 250±5°C Soaking Time: 3±0.2sec	After the test the part shall meet specifications without any degradation in appearance and performance	GB/T 2423.28
12	Washability Solvent: deionized water, Solvent temp: 55±5°C Soaking time: 5±0.5minutes		
13	Solderability Pretreatment: 30°C, 90~95%RH*240hrs Soldering into solder bath: Solder Temp. 370±5°C Soaking Time: 6±0.5sec	95% surface of lead pins must be covered with fresh solder and no soldering holes should be found	GB/T 2423.28

GTT-1205IC

一般公差 ±0.3



			审批 APPROVED	材料 MATERIAL		
			检查 CHECKED	加工 TREATMENT		
			设计 DESIGNED	表面处理 SURF. FIN.	品名 NAME	APPEARANCE DRWG
			制图 DRAWN	第三角法		
日期 DATE	变更号码 CHANGE NO.	变更内容 CHANGE CONTENTS				

尺度 2/1 mm
SCALE