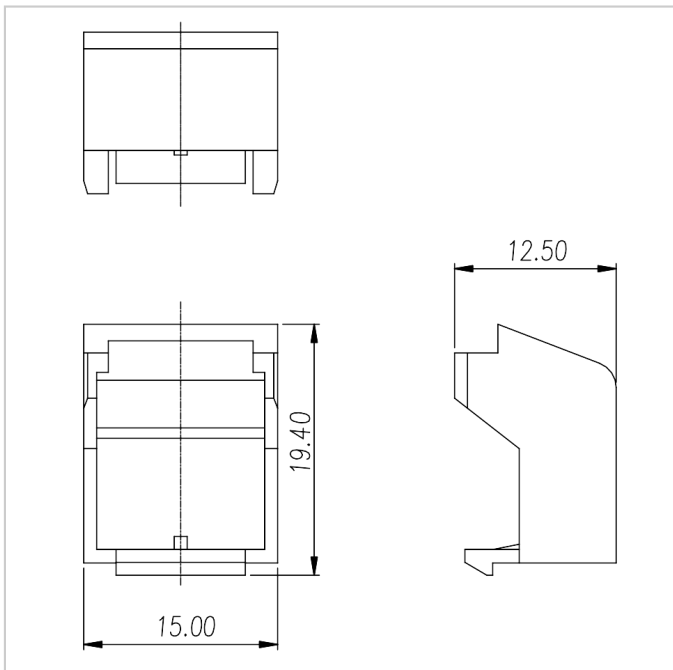




For reference only!version1.0

### Dimensions



### Accessories



[FMDT-OTA-03P](#)



[FMDT-OTA-06P](#)