

CL-3W-UYB

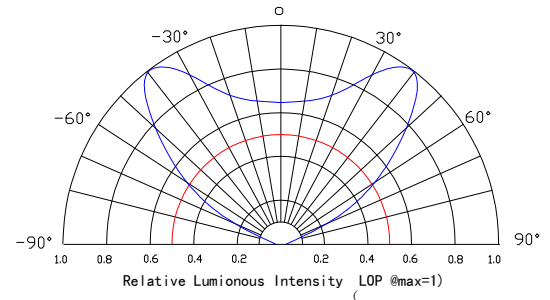
Features:

- Long operating life
- Highest flux
- Available in Yellow
- Lambertian radiation pattern
- More energy efficient than incandescent and most halogen lamps
- Low voltage DC operated
- Cool beam, safe to the touch
- Instant light (less than 100ns)
- Fully dimmable
- No UV
- Lower Rth
- ROHS compliant

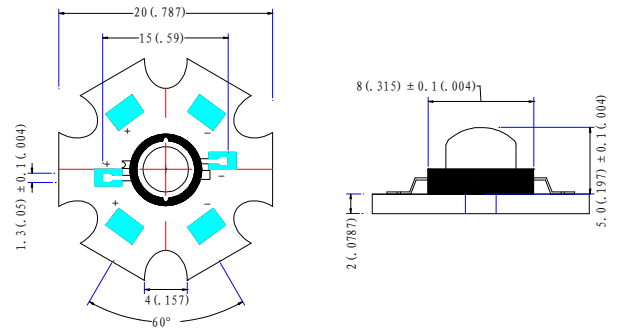
Applications

- Reading lights (car, bus, aircraft)
- LCD Backlights /light Guides
- Fiber optic alternative/Decorative/Entertainment
- Mini-accent/Up lighters/Down lighters/ Orientation
- Indoor/Outdoor commercial and Residential Architectural
- Cove/Under shelf /Task
- Bollards/Security/Garden
- Portable (flashlight, bicycle)
- Edge-lit signs (Exit, point of sale)
- Automotive Exit (stop –tail-Turn ,CHMSL, Mirror Side Repeat)
- Trafficsignaling /Beacons/rail Crossing and Wayside

Radiation Pattern



Package Dimensions



HIGH POWER

■ Typical Optical/Electrical Characteristics@T_J=25°C

Item	symbol	Condition	Min	Typ	Max	Unit
Forward Voltage	V _F	I _F =800mA	2.2	2.6	3.0	V
Reverse Current	I _R	V _R =5V			50	uA
50% Power Angle	2θ _{1/2}	I _F =800mA	110	120	130	deg
Luminous Intensity	Φ _v	I _F =800mA	45	55		LM
Recommend Forward Current	I _F			800		mA
Wave length	λ _d	I _F =800mA	585		595	nm
Thermal Resistance,Junction to Case	R _{jp}	I _F =800mA		10		°C/W

- Notes: 1. Tolerance of measurement of forward voltage ± 0.1v
 2. Tolerance of measurement of peak Wavelength ± 2.0nm
 3. Tolerance of measurement of luminous intensity ± 15%.

■ Absolute Maximum Rating

Item	symbol	Absolute Maximum Rating	Unit
Forward Current	I _F	800	mA
Peak Forward Current*	I _{FD}	1200	mA
Reverse Voltage	V _R	5	V
Power Dissipation	P _D	3000	mW
Operation Temperature	T _{OPR}	-30°C to +80°C	
Storage Temperature	T _{STG}	-40°C to +100°C	
Lead Soldering Temperature*	T _{SOL}	260°C for 6 Seconds Max	

- IFP Conditions :Pulse Width ≤ 10 msec duty ≤ 1/10
- All high Power emitter LED products mounted on aluminum metal-core printed circuit board, can be lighted directly ,but we do not recommend lighting the high power products for more than 5 seconds without a directly,but we do not recommend lighting the high powe products for more than 5 seconds without a appropriate heat dissipation equipment.
- Re-flow, wave peak and soak-stannum soldering etc. is not suitable for this products.
- Suggest to solder it by professional high power LED soldering machine.
- Can use invariable -temperature searing-iron with soldering condition: ≤ 260 degreeen less than 3 seconds.

HIGH POWER

■ Typical optical/Electrical Characteristics Curves (Tj=25°C Unless Otherwise Noted)

